

FEATURES

- 3A switching capacity
- 1 Form A configuration
- 10KV surge strength between coil and contacts
- High sensitive 0.2W
- UL, CSA and VDE approval in progress

CONTACT RATING

Form	1 Form A (H)
Rated Load	3A, 277VAC 3A, 30VDC
Max. Switching Current	3A
Max. Switching Voltage	277VAC/30VDC
Max. Switching Capacity	831VA/90W

CONTACT DATA

Material	AgNi10	
Initial Contact Resistance	100 mΩ max at 1A 24VDC	
Service Life	Mechanical	5 x 10 ⁶ ops.
	Electrical	1 x 10 ⁵ ops.@3A, 250VAC 2x10 ⁵ ops. @ 3A 125VAC/30VDC

COIL DATA

Coil Voltage Code	Nominal Voltage (VDC)	Resistance (Ω) ±10%	Allowable Voltage max. (VDC)	Must Operate Voltage max. (VDC)	Must Release Voltage min. (VDC)
0045	4.5	101	4.95	3.38	0.23
005	5	125	5.50	3.75	0.25
006	6	180	6.60	4.50	0.30
009	9	405	9.90	6.75	0.45
012	12	720	13.20	9.00	0.60
018	18	1620	19.80	13.50	0.90
024	24	2880	26.40	18.00	1.20

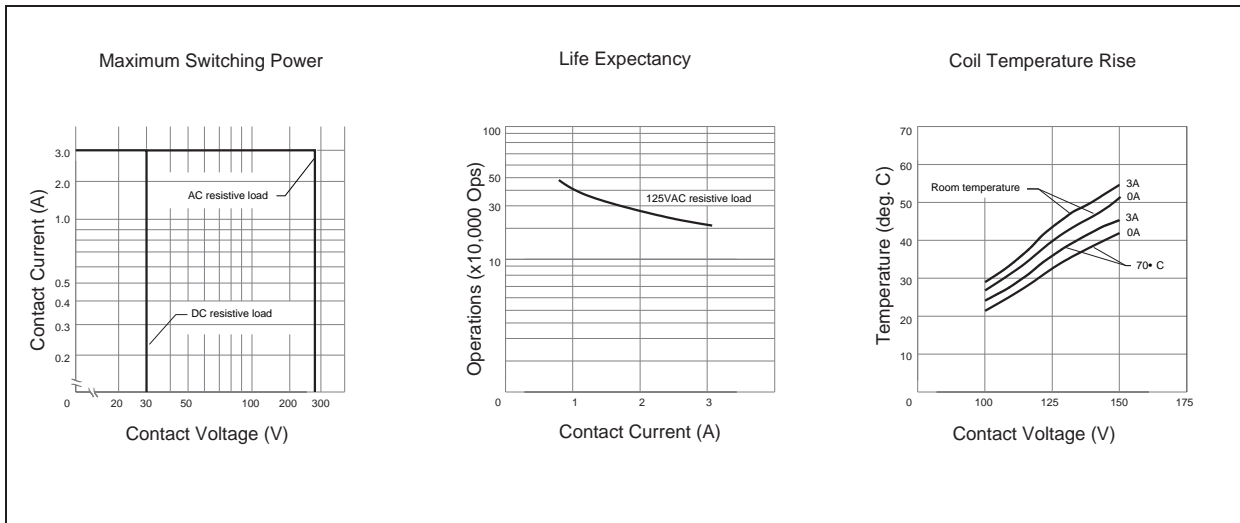
CHARACTERISTICS

Operate Time	10 ms.
Release Time	10 ms.
Insulation Resistance	1000 MΩ, at 500 VDC
Dielectric Strength	4000 Vrms, 1 min. between coil and contacts 750 Vrms, 1 min. between open contacts
Surge Voltage	10KV between coil and contacts
Temperature Rise	45 C
Shock Resistance	10 g, functional; 100 g, destructive
Vibration Resistance	1.6mm, 10 - 55 Hz
Ambient Temperature	-40 C to 70 C operating
Weight	4 g, approx.

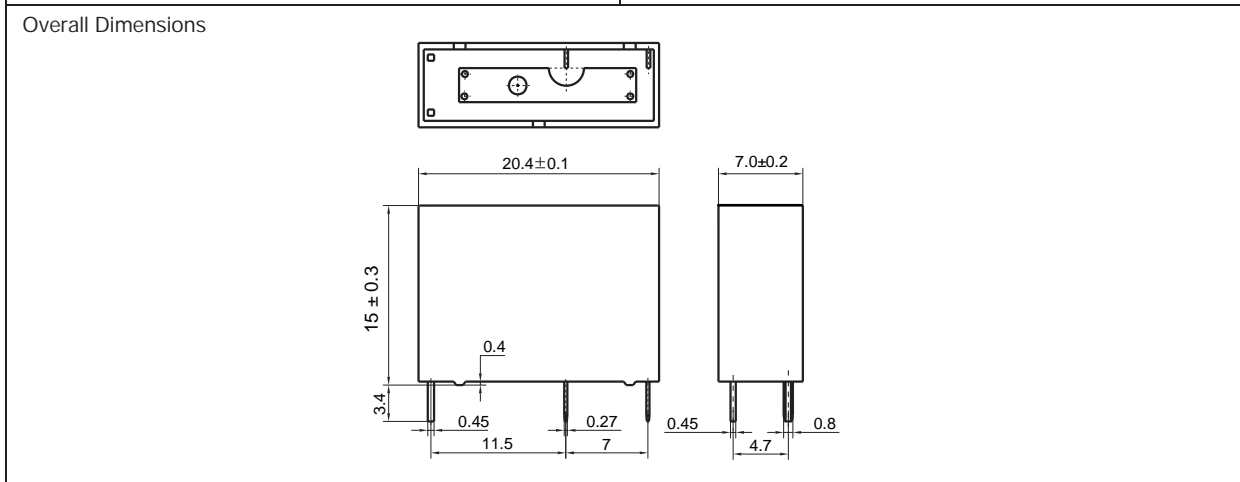
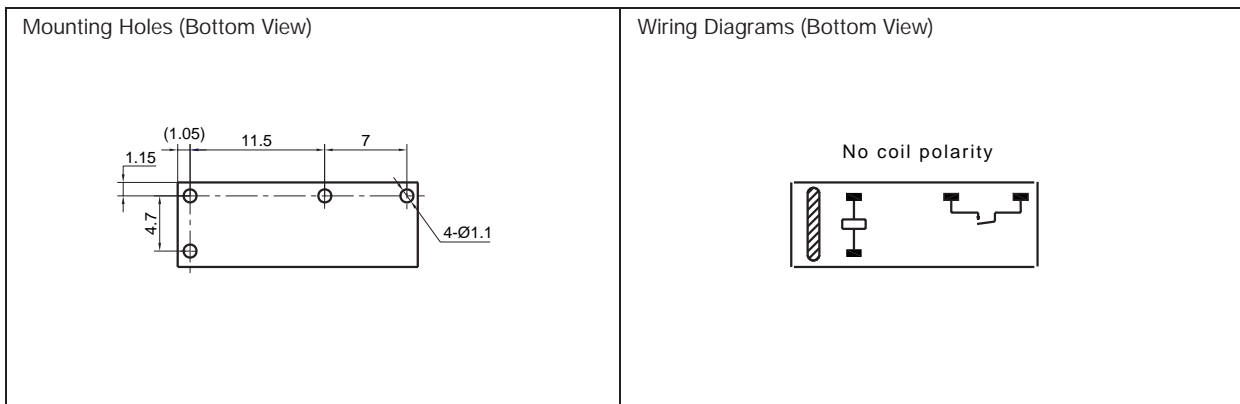
ORDERING DESIGNATION

Example:	HG4549 /	012 -	Z	1	C
Model					
Coil Voltage Code					
Contact Form					
H: 1 Form A					
Version					
1: Sealed					
Contact Material					
Nil: AgNi10; G: Gold plated AgNi10					
C: AgCdO; GC: Gold plated AgCdO					
S: AgSnO; GS: Gold plated AgSnO					

REFERENCE CURVES



OVERALL DIMENSIONS, MOUNTING HOLES AND WIRING DIAGRAMS (mm)



NOTES

1. All parameters, unless otherwise specified, are measured at ambient temperature 23°C.
2. Coil resistance with * mark is ±15%
3. Custom-made services available with operational quantity. Please let us know your special requirements.
4. Specifications subject to change without prior notice.

T Y H Enterprise Limited
 Room 1620B, Nan Fung Centre
 264-298 Castle Peak Road
 Tsuen Wan, N.T.
 Hong Kong
 Tel: 852-2416-0132
 Fax: 852-2413-6229
<http://www.tyhhk.com>
 email: info@tyhhk.com

Plant: Shanghai Hi-Gradex Relay Mfg. Co., Ltd.
 918 Shixin Road
 Airport Town
 Pudong New Area
 Shanghai 201202
 China
 Tel: 86-21-6299-5619 / -5877
 Fax: 86-21-6299-5619
 email: tyhesh@online.sh.cn