

FEATURES

- 16 A contact capacity
- 1 Form A to 2 Form C contact forms available
- 5 KV dielectric strength between coil and contacts
- 10 mm creepage distance between coil and contacts
- Low profile design, 15.7 mm in height
- Sealed and dust cover version available
- UL, CUR, VDE approved

TYPICAL APPLICATIONS

- Home appliances
- Office machine
- Vending machine
- Air conditioner, refrigerator

CONTACT RATING

Form	1 Form A (H) 1 Form B (D) 1 Form C (Z)	2 Form A (2H) 2 Form B (2D) 2 Form C (2Z)
Rated Load	12A/16A	8A
Max. Switching Current	12A/16A	8A
Max. Switching Voltage	440VAC/125VDC	
Max. Switching Power	3000VA/4000VA	2000VA

CONTACT DATA

Material	AgCdO	
Initial Contact Resistance	50 mΩ max. at 1A, 6VDC	
Service Life	Mechanical	10 ⁷ ops.
	Electrical	10 ⁵ ops.

COIL DATA

Coil Voltage Code	Nominal Voltage (VDC)	Resistance (Ω) ±10%		Must Operate Voltage max. (VDC)	Must Release Voltage min. (VDC)
		Power Consumption			
005	5	62	0.4W	3.5	0.5
006	6	90		4.2	0.6
009	9	200		6.3	0.9
012	12	360		8.4	1.2
024	24	1440		16.8	2.4
048	48	5760*		33.6	4.8
060	60	7500*		42.0	6.0
110	110	25200*		77.0	11.0

CHARACTERISTICS

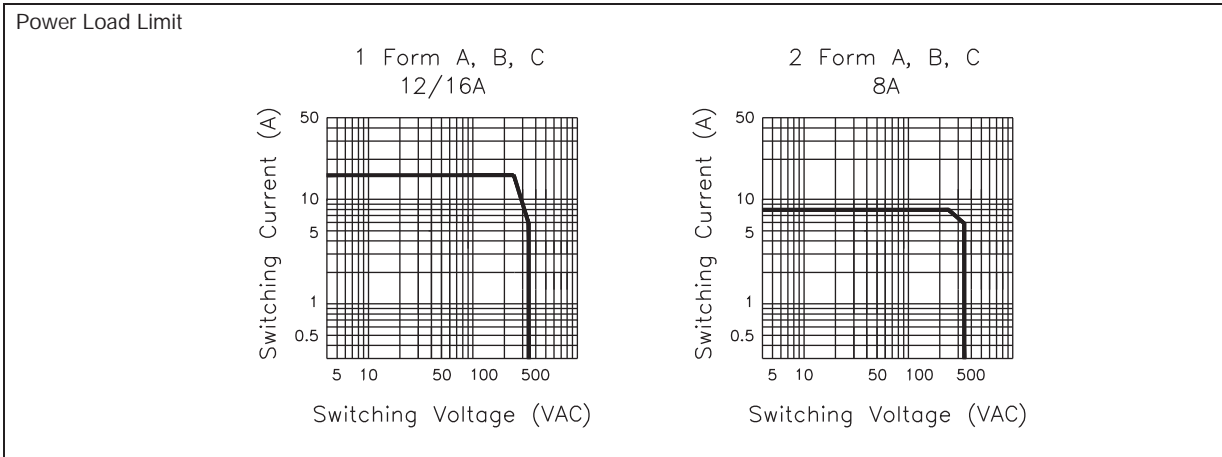
Operate Time	7 ms.
Release Time	3 ms.
Insulation Resistance	1000 MΩ, at 500 VDC, 50%RH
Dielectric Strength	5000 Vrms, 1 min. between coil and contacts 1000 Vrms, 1 min. between open contacts 2500 Vrms, 1 min. between poles
Shock Resistance	10 g, 11ms. functional; 100 g, destructive
Vibration Resistance	5 g / 10 g, 30 - 150 Hz
Ambient Temperature	-40°C to 70°C
Weight	13.5 g, approx.

ORDERING DESIGNATION

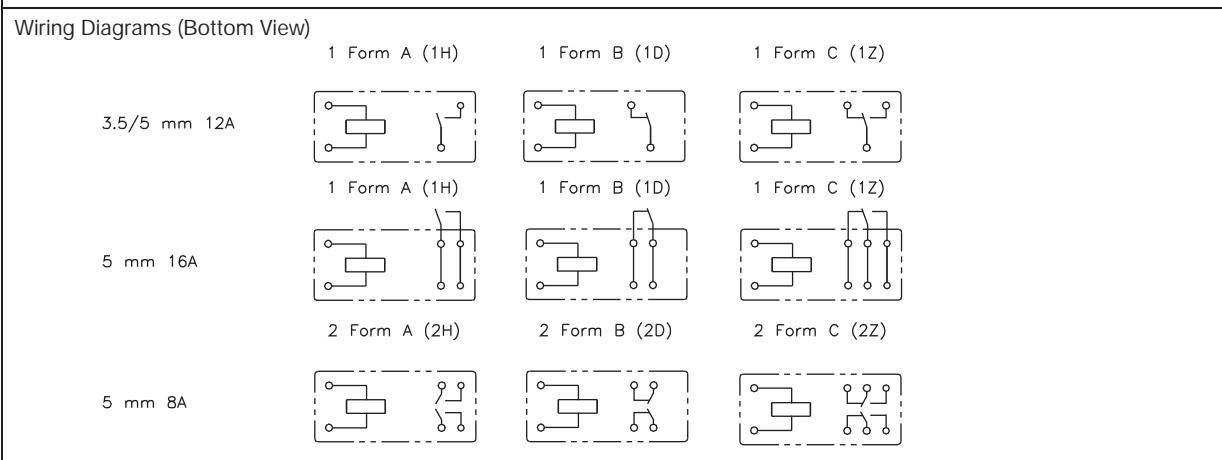
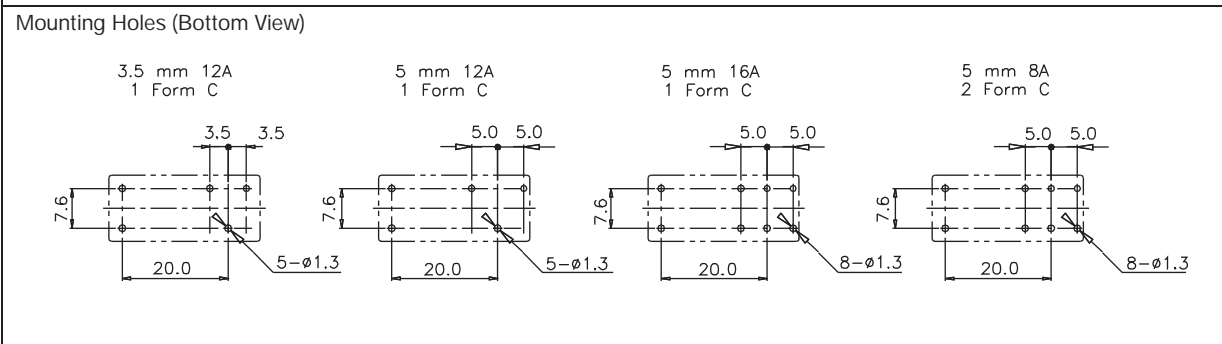
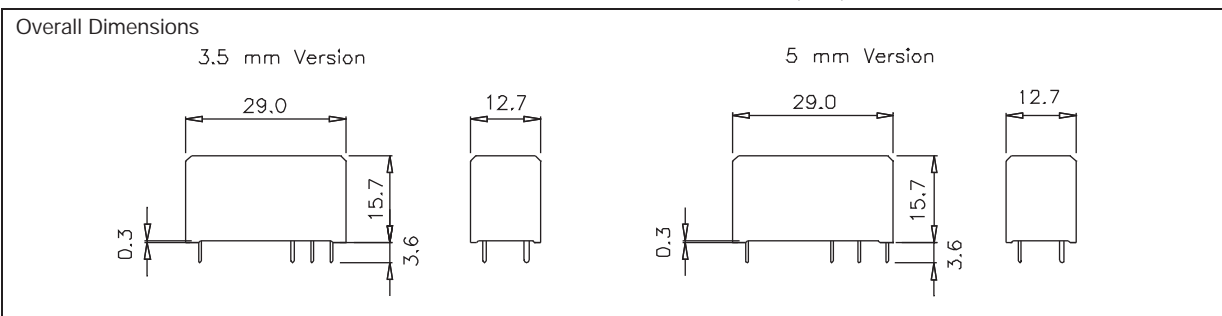
Example:	HG4509 /	012 -	1Z	1	S	1
Model						
Coil Voltage Code						
Contact Form						
1H: 1 Form A; 2H: 2 Form A 1D: 1 Form B; 2D: 2 Form B 1Z: 1 Form C; 2Z: 2 Form C						
Version						
1: Sealed; 2: Dust Cover						
Contact Material						
Nil: AgCdO; A: AgNi10; S: AgSnO; G: Au plated AgCdO; GA: Au plated AgNi10; GS: Au plated AgSnO						

Structure Version
 1: 1 pole, 12A; 3.5 mm
 2: 1 pole, 12A; 5 mm
 3: 1 pole, 16A; 5 mm
 4: 2 pole, 8A; 5 mm

REFERENCE CURVES



OVERALL DIMENSIONS, MOUNTING HOLES AND WIRING DIAGRAMS (mm)



NOTES

1. All parameters, unless otherwise specified, are measured at ambient temperature 23°C.
2. Coil resistance with * mark is $\pm 15\%$.
3. Custom-made services available with operational quantity. Please let us know your special requirements.
4. Specifications subject to change without prior notice.

T Y H Enterprise Limited
 Room 1620B, Nan Fung Centre
 264-298 Castle Peak Road
 Tsuen Wan, N.T.
 Hong Kong

Tel: 852-2416-0132
 Fax: 852-2413-6229
<http://www.tyhhk.com>
 email: info@tyhhk.com

Plant: Shanghai Hi-Gradex Relay Mfg. Co., Ltd.
 918 Shixin Road
 Airport Town
 Pudong New Area
 Shanghai 201202
 China

Tel: 86-21-6299-5619 / -5877
 Fax: 86-21-6299-5619
 email: tyhesh@online.sh.cn